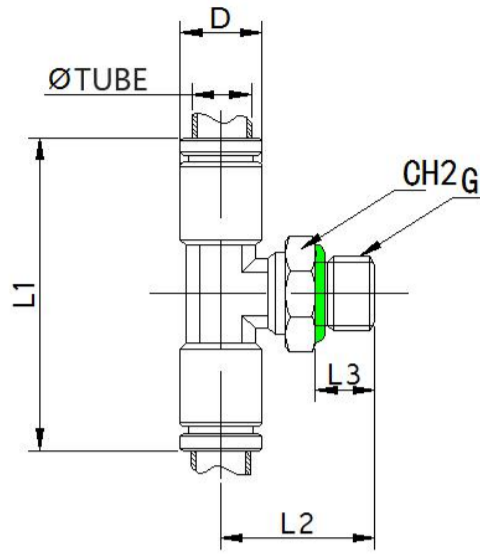


SPB-G Male Branch Tee - BSPP, G Thread Stainless Steel Push in Fittings



Material: 316 Stainless Steel
Fluid Admitted: Air, Water, Steam and Other Liquid
Working Pressure: 0~2.0MPa | 0~290psi
Proof Pressure: 3.0Mpa | 435psi
Negative Pressure: -100Kpa | -29.5 In Hg
Working Temperature: 20~150°C | -4~302°F
Applicable Tube: PU / PA / Teflon Tubing
Seal, O-ring: FKM (Viton)

Metric Tubing to G, BSP, BSPP Thread Male Branch Tee Stainless Steel Push in Fittings

PART NO.	Tube ØD	G	L1(mm)	L2(mm)	L3(mm)	D(mm)	CH2(mm)
SPB 04-G01	4	G1/8	46	24	6	10.5	14
SPB 04-G02	4	G1/4	46	27	7	10.5	17
SPB 06-G01	6	G1/8	48	25	6	12.5	14
SPB 06-G02	6	G1/4	48	28	7	12.5	17
SPB 06-G03	6	G3/8	48	29	7	12.5	19
SPB 06-G04	6	G1/2	48	34	9	12.5	24
SPB 08-G01	8	G1/8	54	28	6	14.5	14
SPB 08-G02	8	G1/4	54	31	7	14.5	17
SPB 08-G03	8	G3/8	54	33	8	14.5	19
SPB 08-G04	8	G1/2	54	35	8	14.5	24
SPB 10-G01	10	G1/8	61	33	6	17.5	17
SPB 10-G02	10	G1/4	61	36	7	17.5	17
SPB 10-G03	10	G3/8	61	37	7	17.5	19
SPB 10-G04	10	G1/2	61	41	8	17.5	24
SPB 12-G02	12	G1/4	68	38	7	20.5	19
SPB 12-G03	12	G3/8	68	38	7	20.5	19
SPB 12-G04	12	G1/2	68	41	8	20.5	24
SPB 14-G02	14	G1/4	76	39.5	7	22	24
SPB 14-G03	14	G3/8	76	40	7	22	24
SPB 14-G04	14	G1/2	76	43	8	22	24
SPB 16-G02	16	G1/4	76	39.5	7	24	24
SPB 16-G03	16	G3/8	76	40	7	24	24
SPB 16-G04	16	G1/2	76	43	8	24	24

Inch Tubing to G, BSP, BSPP Thread Male Branch Tee Stainless Steel Push in Fittings

PART NO.	Tube ØD	G	L1(mm)	L2(mm)	L3(mm)	D(mm)	CH2(mm)
SPB 5/32-G01	5/32"	G1/8	46	24	6	10.5	14
SPB 5/32-G02	5/32"	G1/4	46	27	7	10.5	17
SPB 1/4-G01	1/4"	G1/8	48	25	6	12.5	14
SPB 1/4-G02	1/4"	G1/4	48	28	7	12.5	17
SPB 1/4-G03	1/4"	G3/8	48	29	7	12.5	19
SPB 1/4-G04	1/4"	G1/2	48	34	9	12.5	24
SPB 5/16-G01	5/16"	G1/8	54	28	6	14.5	14
SPB 5/16-G02	5/16"	G1/4	54	31	7	14.5	17
SPB 5/16-G03	5/16"	G3/8	54	33	8	14.5	19
SPB 5/16-G04	5/16"	G1/2	54	35	8	14.5	24
SPB 3/8-G01	3/8"	G1/8	61	33	6	17.5	17
SPB 3/8-G02	3/8"	G1/4	61	36	7	17.5	17
SPB 3/8-G03	3/8"	G3/8	61	37	7	17.5	19
SPB 3/8-G04	3/8"	G1/2	61	41	8	17.5	24
SPB 1/2-G02	1/2"	G1/4	68	38	7	20.5	19
SPB 1/2-G03	1/2"	G3/8	68	38	7	20.5	19
SPB 1/2-G04	1/2"	G1/2	68	41	8	20.5	24