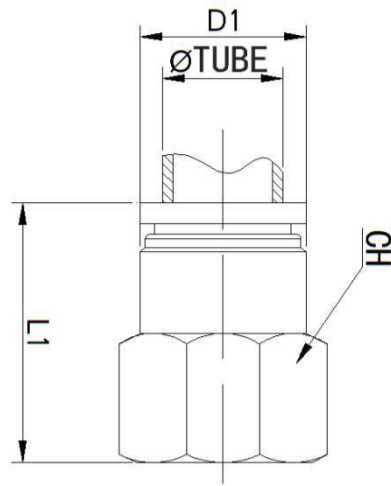


SPCF Female Straight Connector - Stainless Steel Push in Fittings



Material: 316 Stainless Steel
Fluid Admitted: Air, Water, Steam, and Other Liquid
Working Pressure: 0~2.0MPa | 0~290psi
Proof Pressure: 3.0Mpa | 435psi
Negative Pressure: -100Kpa | -29.5 In Hg
Working Temperature: 20~150°C | -4~302°F
Applicable Tube: PU / PA / Teflon Tubing
Seal, O-ring: FKM (Viton)

Metric Tubing to R, BSPT Thread Female Straight Connector Stainless Steel Push in Fittings

PART NO.	Tube ØD	R	L1(mm)	D1(mm)	CH(mm)
SPCF 04-M5	4	M5	23	9	11
SPCF 04-01	4	R1/8	25	9	11
SPCF 04-02	4	R1/4	28	9	17
SPCF 06-M5	6	M5	23	11	11
SPCF 06-01	6	R1/8	26	11	11
SPCF 06-02	6	R1/4	29	11	17
SPCF 06-03	6	R3/8	29	11	22
SPCF 06-04	6	R1/2	33	11	24
SPCF 08-01	8	R1/8	27	13.6	17
SPCF 08-02	8	R1/4	30	13.6	17
SPCF 08-03	8	R3/8	30	13.6	22
SPCF 08-04	8	R1/2	33	13.6	24
SPCF 10-01	10	R1/8	28	15.6	17
SPCF 10-02	10	R1/4	31	15.6	17
SPCF 10-03	10	R3/8	31	15.6	22
SPCF 10-04	10	R1/2	34	15.6	24
SPCF 12-01	12	R1/8	28	18.6	22
SPCF 12-02	12	R1/4	31	18.6	22
SPCF 12-03	12	R3/8	31	18.6	22
SPCF 12-04	12	R1/2	33	18.6	24
SPCF 14-02	14	R1/4	31	20.6	22
SPCF 14-03	14	R3/8	31	20.6	22
SPCF 14-04	14	R1/2	33	20.6	24
SPCF 16-02	16	R1/4	35	22.6	24
SPCF 16-03	16	R3/8	32	22.6	24
SPCF 16-04	16	R1/2	35	22.6	24

Inch Tubing to R, BSPT Thread Female Straight Connector Stainless Steel Push in Fittings

PART NO.	Tube ØD	R	L1(mm)	D1(mm)	CH(mm)
SPCF 5/32-M5	5/32"	M5	23	9	11
SPCF 5/32-01	5/32"	R1/8	25	9	11
SPCF 5/32-02	5/32"	R1/4	28	9	17
SPCF 1/4-M5	1/4"	M5	23	11	11
SPCF 1/4-01	1/4"	R1/8	26	11	11
SPCF 1/4-02	1/4"	R1/4	29	11	17
SPCF 1/4-03	1/4"	R3/8	29	11	22
SPCF 1/4-04	1/4"	R1/2	33	11	24
SPCF 5/16-01	5/16"	R1/8	27	13.6	17
SPCF 5/16-02	5/16"	R1/4	30	13.6	17
SPCF 5/16-03	5/16"	R3/8	30	13.6	22
SPCF 5/16-04	5/16"	R1/2	33	13.6	24
SPCF 3/8-01	3/8"	R1/8	28	15.6	17
SPCF 3/8-02	3/8"	R1/4	31	15.6	17
SPCF 3/8-03	3/8"	R3/8	31	15.6	22
SPCF 3/8-04	3/8"	R1/2	34	15.6	24
SPCF 1/2-01	1/2"	R1/8	28	18.6	22
SPCF 1/2-02	1/2"	R1/4	31	18.6	22
SPCF 1/2-03	1/2"	R3/8	31	18.6	22
SPCF 1/2-04	1/2"	R1/2	33	18.6	24

Inch Tubing to NPT Thread Female Straight Connector Stainless Steel Push in Fittings

PART NO.	Tube ØD	R	L1(mm)	D1(mm)	CH(mm)
SPCF 5/32-U10	5/32"	10-32 UNF	23	9	11
SPCF 5/32-N01	5/32"	1/8 NPT	25	9	11
SPCF 5/32-N02	5/32"	1/4 NPT	28	9	17
SPCF 1/4-U10	1/4"	10-32 UNF	23	11	11
SPCF 1/4-N01	1/4"	1/8 NPT	26	11	11
SPCF 1/4-N02	1/4"	1/4 NPT	29	11	17
SPCF 1/4-N03	1/4"	3/8 NPT	29	11	22
SPCF 1/4-N04	1/4"	1/2 NPT	33	11	24
SPCF 5/16-N01	5/16"	1/8 NPT	27	13.6	17
SPCF 5/16-N02	5/16"	1/4 NPT	30	13.6	17
SPCF 5/16-N03	5/16"	3/8 NPT	30	13.6	22
SPCF 5/16-N04	5/16"	1/2 NPT	33	13.6	24
SPCF 3/8-N01	3/8"	1/8 NPT	28	15.6	17
SPCF 3/8-N02	3/8"	1/4 NPT	31	15.6	19
SPCF 3/8-N03	3/8"	3/8 NPT	31	15.6	22
SPCF 3/8-N04	3/8"	1/2 NPT	34	15.6	24
SPCF 1/2-N02	1/2"	1/4 NPT	31	18.6	22
SPCF 1/2-N03	1/2"	3/8 NPT	31	18.6	22
SPCF 1/2-N04	1/2"	1/2 NPT	33	18.6	24

Metric Tubing to NPT Thread Female Straight Connector Stainless Steel Push in Fittings

PART NO.	Tube ØD	R	L1(mm)	D1(mm)	CH(mm)
SPCF 04-U10	4	10-32 UNF	23	9	11
SPCF 04-N01	4	1/8 NPT	25	9	11
SPCF 04-N02	4	1/4 NPT	28	9	17
SPCF 06-U10	6	10-32 UNF	23	11	11
SPCF 06-N01	6	1/8 NPT	26	11	11
SPCF 06-N02	6	1/4 NPT	29	11	17
SPCF 06-N03	6	3/8 NPT	29	11	22
SPCF 06-N04	6	1/2 NPT	33	11	24
SPCF 08-N01	8	1/8 NPT	27	13.6	17
SPCF 08-N02	8	1/4 NPT	30	13.6	17
SPCF 08-N03	8	3/8 NPT	30	13.6	22
SPCF 08-N04	8	1/2 NPT	33	13.6	24
SPCF 10-N01	10	1/8 NPT	28	15.6	17
SPCF 10-N02	10	1/4 NPT	31	15.6	19
SPCF 10-N03	10	3/8 NPT	31	15.6	22
SPCF 10-N04	10	1/2 NPT	34	15.6	24
SPCF 12-N02	12	1/4 NPT	31	18.6	22
SPCF 12-N03	12	3/8 NPT	31	18.6	22
SPCF 12-N04	12	1/2 NPT	33	18.6	24
SPCF 14-N02	14	1/4 NPT	31	20.6	22
SPCF 14-N03	14	3/8 NPT	31	20.6	22
SPCF 14-N04	14	1/2 NPT	33	20.6	24
SPCF 16-N02	16	1/4 NPT	35	22.6	24
SPCF 16-N03	16	3/8 NPT	32	22.6	24
SPCF 16-N04	16	1/2 NPT	35	22.6	24