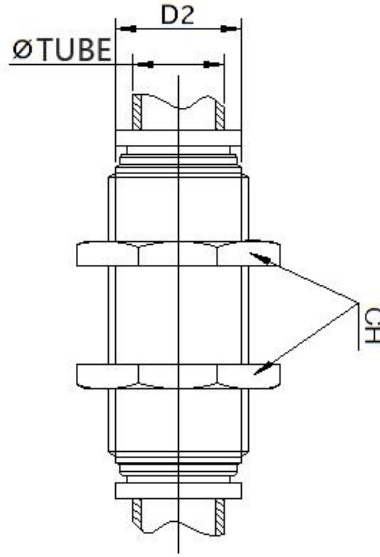


SPM Bulkhead Union Straight - Stainless Steel Push in Fittings



Material: 316 Stainless Steel
Fluid Admitted: Air, Water, Steam, and Other Liquid
Working Pressure: 0~2.0MPa | 0~290psi
Proof Pressure: 3.0Mpa | 435psi
Negative Pressure: -100Kpa | -29.5 In Hg
Working Temperature: 20~150°C | -4~302°F
Applicable Tube: PU / PA / Teflon Tubing
Seal, O-ring: FKM (Viton)

Metric / Inch Tubing Bulkhead Union Straight Stainless Steel Push in Fittings

PART NO.	Tube ØD	L1(mm)	D2(mm)	CH(mm)
SPM 04	4	32	12	17
SPM 06	6	34	13	17
SPM 08	8	36	15	19
SPM 10	10	38	17	12
SPM 12	12	40	19	24
SPM 14	14	40	22	27
SPM 16	16	42	23	27
SPM 5/32	5/32"	32	12	17
SPM 1/4	1/4"	34	13	17
SPM 5/16	5/16"	36	15	19
SPM 3/8	3/8"	38	17	12
SPM 1/2	1/2"	40	19	24