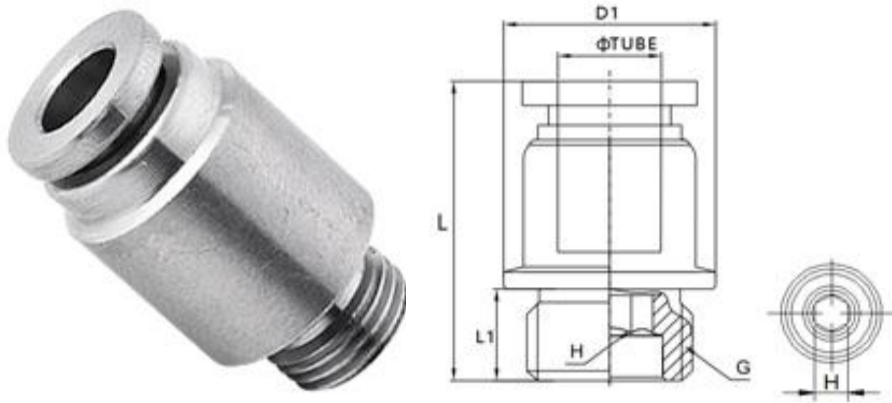


SPOC-G Hex. Socket Head Male Connector-BSPP,G Thread Stainless Steel Push in Fittings



Material: 316 Stainless Steel

Fluid Admitted: Air, Water, Steam, and other liquid

Working Pressure: 0~2.0MPa | 0~290psi

Proof Pressure: 3.0Mpa | 435psi

Negative Pressure: -100Kpa | -29.5 In Hg

Working Temperature: 20~150°C | -4~302°F

Applicable Tube: PU / PA / Teflon Tubing

Seal, O-ring: FKM (Viton)

Metric Tubing to G, BSPP Thread Hex. Socket Head Male Connector Stainless Steel Push in Fittings

PAGT NO.	Tube ØD	G	L1(mm)	D1(mm)	L(mm)	H(mm)
SPOC 04-G01	4	G1/8	20	10.5	6	3
SPOC 04-G02	4	G1/4	21	10.5	7	3
SPOC 06-G01	6	G1/8	23	12.5	6	4
SPOC 06-G02	6	G1/4	22	12.5	7	4
SPOC 06-G03	6	G3/8	23	12.5	7	4
SPOC 06-G04	6	G1/2	25	12.5	8	4
SPOC 08-G01	8	G1/8	25	14.5	6	5
SPOC 08-G02	8	G1/4	24	14.5	7	6
SPOC 08-G03	8	G3/8	24	14.5	7	6
SPOC 08-G04	8	G1/2	25	14.5	8	6
SPOC 10-G02	10	G1/4	24	17.5	7	8
SPOC 10-G03	10	G3/8	24	17.5	7	8
SPOC 10-G04	10	G1/2	25	17.5	8	8
SPOC 12-G02	12	G1/4	27	20.5	7	8
SPOC 12-G03	12	G3/8	25	20.5	7	10
SPOC 12-G04	12	G1/2	25	20.5	8	10
SPOC 14-G02	14	G1/4	27	22	7	10
SPOC 14-G03	14	G3/8	27	22	7	10
SPOC 14-G04	14	G1/2	25	22	8	10
SPOC 16-G02	16	G1/4	28	24	7	10
SPOC 16-G03	16	G3/8	28	24	7	10
SPOC 16-G04	16	G1/2	25	24	6	12

Inch Tubing to G, BSPP Thread Hex. Socket Head Male Connector Stainless Steel Push in Fittings

PAGT NO.	Tube ØD	G	L1(mm)	D1(mm)	L(mm)	H(mm)
SPOC 5/32-G01	5/32"	G1/8	20	10.5	6	3
SPOC 5/32-G02	5/32"	G1/4	21	10.5	7	3
SPOC 1/4-G01	1/4"	G1/8	23	12.5	6	4
SPOC 1/4-G02	1/4"	G1/4	22	12.5	7	4
SPOC 1/4-G03	1/4"	G3/8	23	12.5	7	4
SPOC 1/4-G04	1/4"	G1/2	25	12.5	8	4
SPOC 5/16-G01	5/16"	G1/8	25	14.5	6	5
SPOC 5/16-G02	5/16"	G1/4	24	14.5	7	6
SPOC 5/16-G03	5/16"	G3/8	24	14.5	7	6
SPOC 5/16-G04	5/16"	G1/2	25	14.5	8	6
SPOC 3/8-G02	3/8"	G1/4	24	17.5	7	8
SPOC 3/8-G03	3/8"	G3/8	24	17.5	7	8
SPOC 3/8-G04	3/8"	G1/2	25	17.5	8	8
SPOC 1/2-G02	1/2"	G1/4	27	20.5	7	8
SPOC 1/2-G03	1/2"	G3/8	25	20.5	7	10
SPOC 1/2-G04	1/2"	G1/2	25	20.5	8	10